

DESCRIPTION

The Straits Lighting Inline Fixture offers the greatest protection from any environment. The Inline Fixture is weather resistant and no parts are left exposed to corrosion. The gasket has a silicon perimeter, and is 100% UV stabilized polycarbonate. The Inline Fixture is most popular in dusty/wet environments, farmyards, parking garages, and manufacturing facilities.



SPECIFICATION FEATURES

MOUNTING

- ◆ Stainless Steel Mounting Bracket
- ◆ Surface or Suspended
- ◆ G13 tombstones for Straits Lighting LED T8 Tubes

FINISH

- ◆ 100% UV Stabilized Polycarbonate
- ◆ Silicon Gasket Perimeter
- ◆ Stainless Steel Mounting Brackets
- ◆ Clear Polycarbonate Lens

WARRANTY

- ◆ **Five** year warranty

CONSTRUCTION

- ◆ Sizes:
 - .5'x2'
 - .5'x4'
- ◆ 4ft model uses TWO 4ft LED Lamps (sold separately)
- ◆ 2ft model uses TWO 2ft LED Lamps (sold separately)

Product #	SL913INL
Project	
Comments	
Prepared By	
Date	

CERTIFICATION DATA

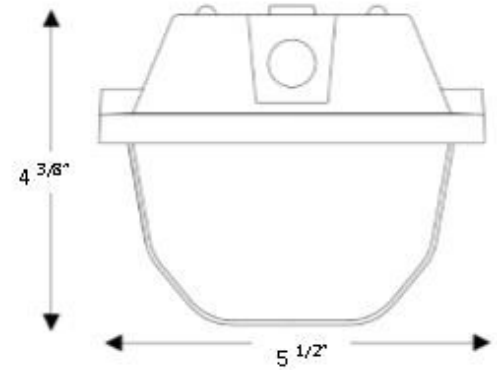
- ◆ UL/cUL Certified
- ◆ LM79/ LM 80 Tested
- ◆ Listed for IFAR Standard
- ◆ IP65 waterproof, dustproof, weatherproof



PRODUCT DIMENSIONS & WATTAGE

LED - INLINE FIXTURE

Product	Width (In)	Length (In)	Height (In)
SL913INL-.5x2	5 1/2	26 1/8	3 1/2
SL913INL-.5x4	5 1/2	50 1/8	4 3/8



ORDERING INFORMATION

SAMPLE NUMBER: SL913INL-.5x4-C-G13

SL913INL		C	G13
Category SL913INL = Inline Vapor- Tight Fixture	Length .5x2 = .5'x2' .5x4 = .5'x4'	Fixture Lens C = Clear	Base/Mount G13 = G13

ORDER NOTES

CONTACT US

Phone: (855) TSLC - LED
(855) 875 - 2533

Address:

46919 Liberty Drive
Wixom, MI 48393



The Straits Lighting Company is constantly developing and improving its products. For this reason, all product descriptions in this brochure are intended as a general guide, and we may change specifications from time to time in the interest of product development, without prior notification or public announcement. All descriptions in this publication present only general particulars of the goods to which they refer and shall not form part of any contract. Data in this guide has been obtained in controlled experimental conditions. However, The Straits Lighting Company cannot accept any liability arising from the reliance on such data to the extent permitted.