

STREAMLINE LED T8 X-SERIES

PID: SL917T8BC



APPLICATIONS:

- RETROFIT FLUORESCENT TUBES
- BEST FOR LED READY FIXTURES
- OFFICE / RETAIL LIGHTING
- SCHOOL BUILDINGS
- PAINT BOOTHS



SPECIFICATIONS:

FEATURES

- Integrated extruded aluminum heat sink
- Aluminum casing
- Plastic lens (Clear/ Frosted)
- High shock and vibrant resistant
- Min starting temperature -22°F (-30°C)
- Max. starting temperature 104°F (40°C)

ENERGY DATA

- Internal driver: 100-277V
- Power Factor > 0.90
- THD < 20%

LED MODULES

- SMD LED chips
- Available Kelvin temperature of 30K, 40K and 50K
- Beam Angle: 120°
- CRI > 80
- 50,000 hour rated life

MOUNTING

- G13 Bi-pin
- Ballast compatible with specific T8 electronic ballasts or existing ballast can be bypassed!
- Single or Double-ended connection
- Type A & B

CERTIFICATIONS

- UL certified
- DLC Standard certified (48" Only)
- LM79 tested
- RoHS Compliant

WARRANTY

- 5 year warranty
- We recommend testing a trial lamp before placing a large order.*

PRODUCT DETAILS

Wattage	Length	Input (VAC)	Lumens ^{1,2}	Efficacy ^{1,2}	Amps	CCT ¹	Dimmable	Connection Type
12W	48	100/277V	1715	142	.109	30K, 40K, 50K	Non-dimming	G13
15W	24	100/277V	1952	130	.136	30K, 40K, 50K	Non-dimming	G13
15W	36	100/277V	2000	133	.136	30K, 40K, 50K	Non-dimming	G13
15W	48	100/277V	2172	133	.136	30K, 40K, 50K	Non-dimming	G13
18W	48	100/277V	2567	142	.159	30K, 40K, 50K	Non-dimming	G13
20W	48	100/277V	2697	135	.167	30K, 40K, 50K	Non-dimming	G13

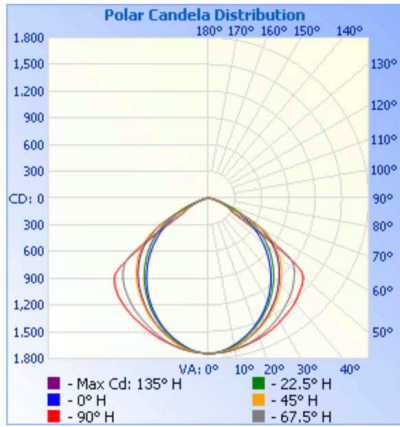
1. CCT range complies to ANSI C78.377-2008

2. Rated average life based on engineering testing and probability analysis

3. Lifetime test consistent with IESNA LM80 lumen maintenance procedure

LM79 REPORT

Test results are based on 18W T8BC tubes



Center Beam fc	Beam Width	
17.0ft	6.02 fc	37.5 ft 48.2 ft
34.0ft	1.51 fc	75.0 ft 96.4 ft
51.0ft	0.67 fc	112.6 ft 144.5 ft
68.0ft	0.38 fc	150.1 ft 192.7 ft
85.0ft	0.24 fc	187.6 ft 240.9 ft
102.0ft	0.17 fc	225.1 ft 289.1 ft

■ Vert. Spread: 95.6°
■ Horiz. Spread: 109.6°

Zone	Lumens	% Luminaire
0-30	1,116.7	34.1%
0-40	1,786.3	54.5%
0-60	2,824.0	86.1%
60-90	453.8	13.8%
70-100	199.3	6.1%
90-120	0.0	0%
0-90	3,277.8	100%
90-180	0.3	0%
0-180	3,278.1	100%

Zone	Lumens	% Total	Zone	Lumens	% Total
0-10	164.1	3.9%	90-100	0.0	0%
10-20	464.8	11.0%	100-110	0.1	0%
20-30	700.4	16.6%	110-120	0.2	0%
30-40	850.3	20.1%	120-130	0.2	0%
40-50	899.8	21.3%	130-140	0.1	0%
50-60	720.5	17.1%	140-150	0.1	0%
60-70	309.3	7.3%	150-160	0.1	0%
70-80	96.4	2.3%	160-170	0.1	0%
80-90	15.6	0.4%	170-180	0.0	0%

ORDERING GUIDE

ORDER CODE	LENGTH	WATTS	VOLTAGE	CCT	LENS	BEAM ANGLE	DRIVER	DIMMING	BASE
SL917T8BC	24 = 24" 36 = 36" 48 = 48"	12W 15W 18W 20W	100/277V	3000 = 3000K 4000 = 4000K 5000 = 5000K	C = Clear F = Frosted	120	I = Internal	N = Non-dimming	G13 = Med. Bi-Pin

ORDER EXAMPLE: SL917T8BC - 24 - 15W - 3000 - C - 120 - I - N - G13

BALLAST COMPATIBLE

MAKE	MODEL	TYPE
Phillips - Advance	ICN-1P32-N	Instant Start Ballast
Phillips - Advance	ICN-2P32-N	Instant Start Ballast
Phillips - Advance	ICN-3P32-N	Instant Start Ballast
Phillips - Advance	ICN-4P32-N	Instant Start Ballast
Phillips - Advance	ICN-1P32-SC	Instant Start Ballast
Phillips - Advance	ICN-2P32-SC	Instant Start Ballast
Phillips - Advance	ICN-3P32-SC	Instant Start Ballast
Phillips - Advance	ICN-4P32-SC	Instant Start Ballast
Phillips - Advance	IOP-1P32-LW-SC	Instant Start Ballast
Phillips - Advance	IOP-2P32-LW-SC	Instant Start Ballast
Phillips - Advance	IOP-3P32-LW-SC	Instant Start Ballast
Phillips - Advance	IOP-4P32-LW-SC	Instant Start Ballast
Phillips - Advance	IOPA-1P32-LW-N	Instant Start Ballast
Phillips - Advance	IOPA-2P32-LW-N	Instant Start Ballast
Phillips - Advance	IOPA-3P32-LW-N	Instant Start Ballast
Phillips - Advance	IOPA-4P32-LW-N	Instant Start Ballast
Phillips - Advance	IOPA-1P32-N	Instant Start Ballast
Phillips - Advance	IOPA-2P32-N	Instant Start Ballast
Phillips - Advance	IOPA-3P32-N	Instant Start Ballast
Phillips - Advance	IOPA-4P32-N	Instant Start Ballast
Phillips - Advance	IOP-1P32-SC	Instant Start Ballast
Phillips - Advance	IOP-2P32-SC	Instant Start Ballast
Phillips - Advance	IOP-3P32-SC	Instant Start Ballast
Phillips - Advance	IOP-4P32-SC	Instant Start Ballast
Phillips - Advance	IOPA-1P32-HL-SC	Instant Start Ballast

MAKE	MODEL	TYPE
Phillips - Advance	IOPA-2P32-HL-SC	Instant Start Ballast
Phillips - Advance	IOPA-3P32-HL-SC	Instant Start Ballast
Phillips - Advance	IOPA-4P32-HL-SC	Instant Start Ballast
Phillips - Advance	GOPA-1P32-SC	Instant Start Ballast
Phillips - Advance	GOPA-2P32-SC	Instant Start Ballast
Phillips - Advance	GOPA-3P32-SC	Instant Start Ballast
Phillips - Advance	GOPA-4P32-SC	Instant Start Ballast
Phillips - Advance	GOP-1PSP32-SC	Instant Start Ballast
Phillips - Advance	GOP-2PSP32-SC	Instant Start Ballast
Phillips - Advance	GOP-3PSP32-SC	Instant Start Ballast
Phillips - Advance	GOP-4PSP32-SC	Instant Start Ballast
Phillips - Advance	GOPA-1P32-LW-SC	Instant Start Ballast
Phillips - Advance	GOPA-2P32-LW-SC	Instant Start Ballast
Phillips - Advance	GOPA-3P32-LW-SC	Instant Start Ballast
Phillips - Advance	GOPA-4P32-LW-SC	Instant Start Ballast
Sylvania	QHE 1X32T8/UNV ISL-SC	Instant Start Ballast
Sylvania	QHE 2X32T8/UNV ISL-SC	Instant Start Ballast
Sylvania	QHE 3X32T8/UNV ISL-SC	Instant Start Ballast
Sylvania	QHE 4X32T8/UNV ISL-SC	Instant Start Ballast
Sylvania	QHE 1X32T8/UNV ISN-SC	Instant Start Ballast
Sylvania	QHE 2X32T8/UNV ISN-SC	Instant Start Ballast
Sylvania	QHE 3X32T8/UNV ISN-SC	Instant Start Ballast
Sylvania	QHE 4X32T8/UNV ISN-SC	Instant Start Ballast
Sylvania	QHE 1X32T8/UNV ISH-SC	Instant Start Ballast
Sylvania	QHE 2X32T8/UNV ISH-SC	Instant Start Ballast

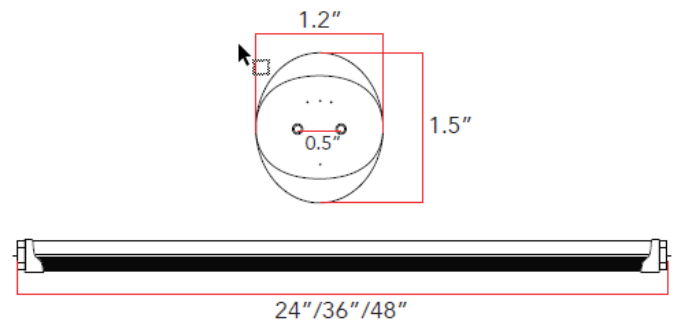
MAKE	MODEL	TYPE
Sylvania	QHE 3X32T8/UNV ISH-SC	Instant Start Ballast
Sylvania	QHE 4X32T8/UNV ISH-SC	Instant Start Ballast
Sylvania	QTP 1X32T8/UNV ISL-SC	Instant Start Ballast
Sylvania	QTP 2X32T8/UNV ISL-SC	Instant Start Ballast
Sylvania	QTP 3X32T8/UNV ISL-SC	Instant Start Ballast
Sylvania	QTP 4X32T8/UNV ISL-SC	Instant Start Ballast
Sylvania	QTP 1X32T8/UNV ISN-SC	Instant Start Ballast
Sylvania	QTP 2X32T8/UNV ISN-SC	Instant Start Ballast
Sylvania	QTP 3X32T8/UNV ISN-SC	Instant Start Ballast
Sylvania	QTP 4X32T8/UNV ISN-SC	Instant Start Ballast
Sylvania	QTP 1X32T8/UNV ISH-SC	Instant Start Ballast
Sylvania	QTP 2X32T8/UNV ISH-SC	Instant Start Ballast
Sylvania	QTP 3X32T8/UNV ISH-SC	Instant Start Ballast
Sylvania	QTP 4X32T8/UNV ISH-SC	Instant Start Ballast
Sylvania	QHE 1X32T8/347 ISL-SC	Instant Start Ballast
Sylvania	QHE 2X32T8/347 ISL-SC	Instant Start Ballast
Sylvania	QHE 3X32T8/347 ISL-SC	Instant Start Ballast
Sylvania	QHE 4X32T8/347 ISL-SC	Instant Start Ballast
Sylvania	QHE 1X32T8/347 ISN-SC	Instant Start Ballast
Sylvania	QHE 2X32T8/347 ISN-SC	Instant Start Ballast
Sylvania	QHE 3X32T8/347 ISN-SC	Instant Start Ballast
Sylvania	QHE 4X32T8/347 ISN-SC	Instant Start Ballast
Sylvania	QTP 1X32T8/347 ISN-SC	Instant Start Ballast
Sylvania	QTP 2X32T8/347 ISN-SC	Instant Start Ballast
Sylvania	QTP 3X32T8/347 ISN-SC	Instant Start Ballast
Sylvania	QTP 4X32T8/347 ISN-SC	Instant Start Ballast
GE	GE-132-MV-N	Instant Start Ballast
GE	GE-232-MV-N	Instant Start Ballast
GE	GE-332-MV-N	Instant Start Ballast
GE	GE-432-MV-N	Instant Start Ballast
GE	GE-132-MV-N-DIY	Instant Start Ballast
GE	GE-232-MV-N-DIY	Instant Start Ballast
GE	GE-332-MV-N-DIY	Instant Start Ballast
GE	GE-432-MV-N-DIY	Instant Start Ballast
GE	GE-232MAX347-N	Instant Start Ballast
GE	GE-432MAX347-N	Instant Start Ballast
GE	GE-132-MAX-N/Ultra	Instant Start Ballast
GE	GE-232-MAX-N/Ultra	Instant Start Ballast
GE	GE-332-MAX-N/Ultra	Instant Start Ballast
GE	GE-432-MAX-N/Ultra	Instant Start Ballast
GE	GE-132-MAX-L/Ultra	Instant Start Ballast
GE	GE-232-MAX-L/Ultra	Instant Start Ballast
GE	GE-332-MAX-L/Ultra	Instant Start Ballast
GE	GE-432-MAX-L/Ultra	Instant Start Ballast
GE	GE-132-MAX-H/Ultra	Instant Start Ballast
GE	GE-232-MAX-H/Ultra	Instant Start Ballast
GE	GE-332-MAX-H/Ultra	Instant Start Ballast
GE	GE-332-MAX-L/Ultra	Instant Start Ballast
GE	GE-432-MAX-L/Ultra	Instant Start Ballast
GE	GE-132-MAX-H/Ultra	Instant Start Ballast
GE	GE-232-MAX-H/Ultra	Instant Start Ballast
GE	GE-332-MAX-H/Ultra	Instant Start Ballast

MAKE	MODEL	TYPE
GE	GE-332-MAX-H/Ultra	Instant Start Ballast
SunPark	U-1/32ISE-HBF	Instant Start Ballast
SunPark	U-2/32ISE-HBF	Instant Start Ballast
SunPark	U-3/32ISE-HBF	Instant Start Ballast
SunPark	U-4/32ISE-HBF	Instant Start Ballast
SunPark	U-1/32ISE-LBF	Instant Start Ballast
SunPark	U-2/32ISE-LBF	Instant Start Ballast
SunPark	U-3/32ISE-LBF	Instant Start Ballast
SunPark	U-4/32ISE-LBF	Instant Start Ballast
SunPark	U-1/32ISE	Instant Start Ballast
SunPark	U-2/32ISE	Instant Start Ballast
SunPark	U-3/32ISE	Instant Start Ballast
Howard	EP3/32IS/MV/MC/HE	Instant Start Ballast
Keystone	KTEB-432-UV-IS-N-P	Instant Start Ballast
Keystone	KTEB-432-UV-IS-N-P	Instant Start Ballast
Prolume	EP232IS/L/MV/SL	Instant Start Ballast
Prolume	EP232IS/L/MV/HE	Instant Start Ballast
Radionic	E232H12	Instant Start Ballast

1. Tubes may not work with ballasts in above list, due to advances in design and technology within ballast components.
2. Do not make mass installation without testing.

PRODUCT DIMENSIONS

Product	Lamp Length (Inches)	Lamp Weight (Pounds)
SL917T8BC-24	24	.46
SL917T8BC-36	36	.63
SL917T8BC-48	48	.81



The Straits Lighting Company is constantly developing and improving its products. For this reason, all product descriptions in this brochure are intended as a general guide, and we may change specifications from time to time in the interest of product development, without prior notification or public announcement. All descriptions in this publication present only general particulars of the goods to which they refer and shall not form part of any contract. Data in this guide has been obtained in controlled experimental conditions. However, The Straits Lighting Company cannot accept any liability arising from the reliance on such data to the extent permitted.