



SAFETY WARNING - PLEASE READ CAREFULLY

WARNING - Be certain electrical power is OFF before and during installation and maintenance.

WARNING - Risk of fire or electric shock. LED High Bay installation requires knowledge of electrical systems. For install by qualified electrician only. Do not attempt installation if not qualified.

WARNING - This product is sensitive to Electrical Static Discharges (ESD). Do not make contact with the LEDs. Installers must ground themselves using a wrist strap, or other suitable method of grounding. If and installer does not ground him or herself properly, this may cause pre-mature failures, which voids the fixture's warranty.

WARNING - To prevent wiring damage or abrasion, do not expose wiring to edges of sheet metal or other sharp objects.

Included Parts

- A. (1) LED High Bay
- B. (4) Hanging clips

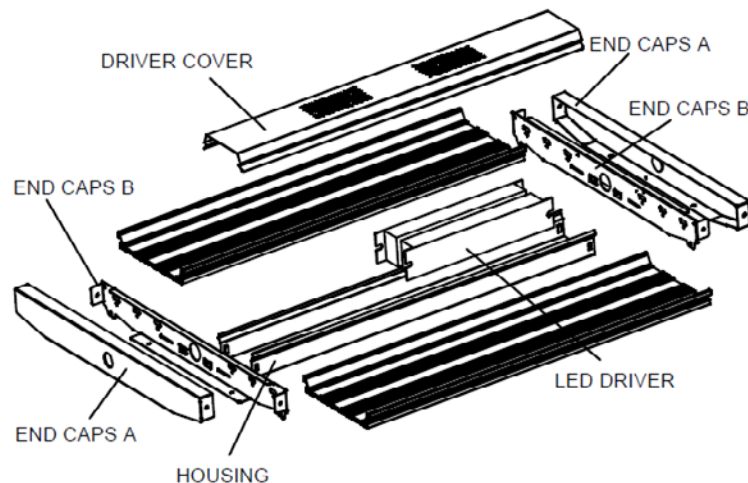
Maintenance

Perform visual, electrical, and mechanical inspections on a regular basis. The environment and frequency of use should determine this. However, it is recommended that checks be made at least once per year.

After turning off the main power, check the electrical system to ensure all connections are clean and tight.

Mechanically check that all parts are properly assembled.

Exploded View



1. To avoid the possibility of electrical shock, turn off all power before installation or servicing of this fixture.
2. Attach hanging chain (not included) to ceiling or attachment point.
3. Secure chain to fixture clips. See Figure A.
4. Remove back plate for tool-less wiring access. See Figure B.
5. Wire power to fixture as shown in Figure C. Knockout metal disks and securely attach conduit or power cord. See Figure D.

Figure A.

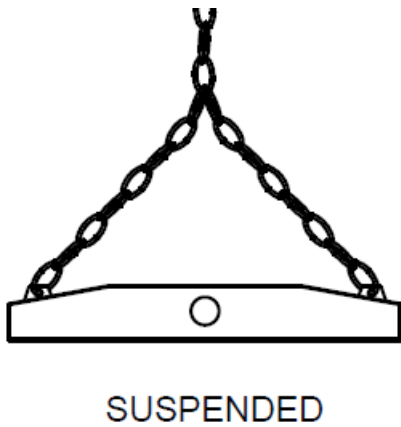


Figure B.

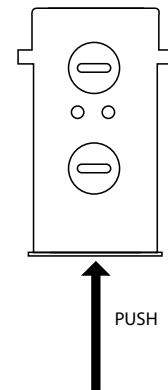


Figure C.

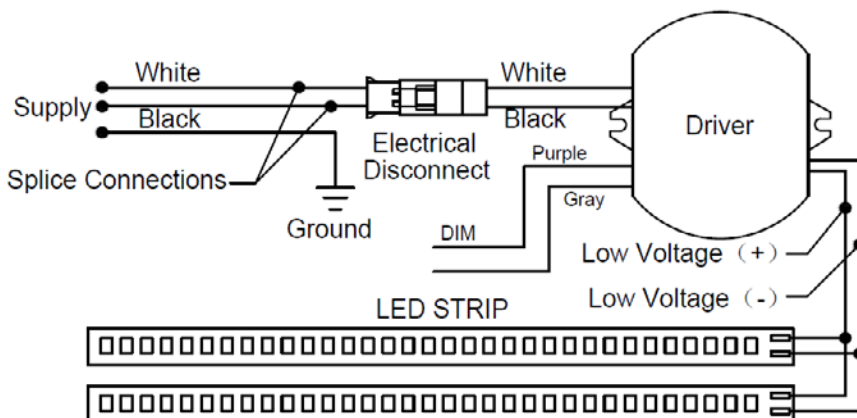
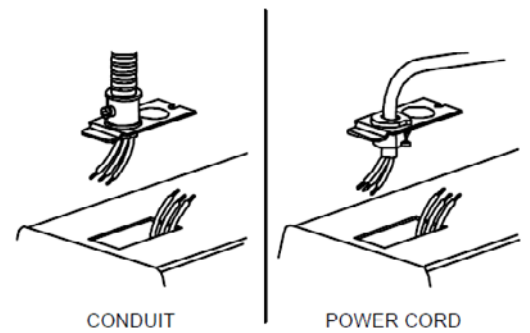


Figure D.



[If unit has Occupancy Sensor or Battery Backup option, wiring may differ.]