

FLL LED Floodlight

SL923FLL INSTALLATION INSTRUCTIONS



SAFETY WARNING READ CAREFULLY



- Be certain electrical power is OFF before and during installation and maintenance.
- Risk of fire or electric shock. Installation requires knowledge of electrical systems. To be installed by a qualified electrician only. Do not attempt installation if not qualified.

- To prevent wiring damage or abrasion, do not expose wiring to edges of sheet metal or other sharp objects.

This LED Floodlight uses the latest in solid-state lighting technology for long life, low maintenance and high efficiency.

The same as traditional HID lighting. There are two installation methods, suitable for various occasions.

An internal power-factor-corrected switch-mode supply allows it to be used from any nominal 277-480V, 50~60Hz AC supply without any variation in light output.

Suitable for use in the following locations:

- Ambient Temp: -40~+
- Wet Locations



MOUNT TYPES



Extruded Arm Mount



Trunnion Mount



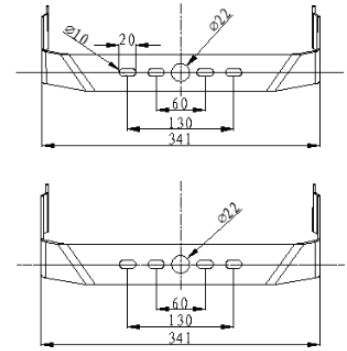
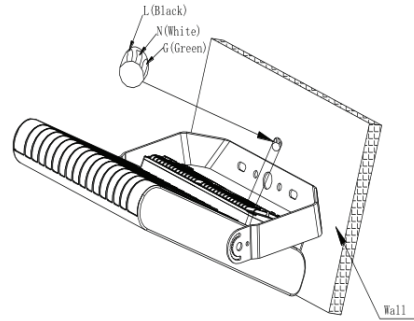
Slipfitter Mount



Yoke Mount

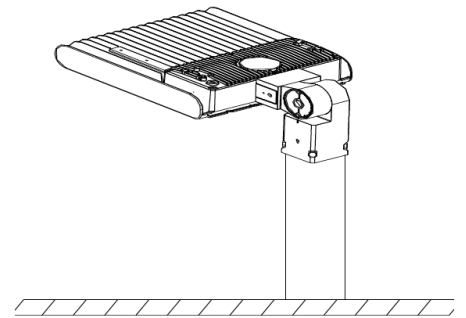
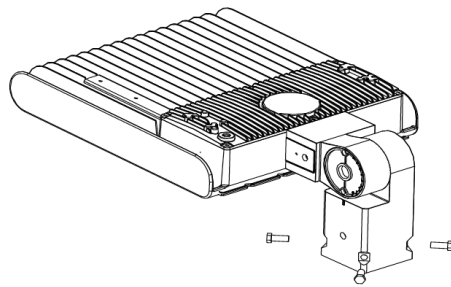
Installation

Direct Mount



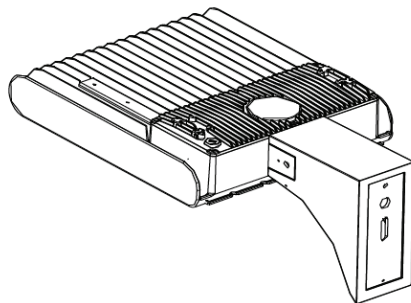
- A. Use expansion bolts to secure the fixture on the mounting surface.
- B. Keep enough length wires to ensure adjusting angle unhindered. Connect wires into wiring terminal; white wire to "Neutral" terminal, black wire to "Live" terminal, green wire to "Ground" terminal; and fix them by screws.

Slipfitter Mounting



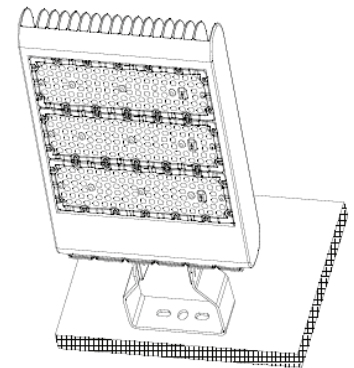
- A. Adjust the fixture orientation by turning the bolt. In the above photo for the rocker installation hole, for the sensor installation hole in the bottom.
- B. Please use a post of diameter 2.36" for mounting and tighten with screws. You can open the side cover from the side connection.

Extruded Arm Mounting



- A. Directly with the screw on the lamp post. In the above straight arm has a reserved light installation hole, for the sensor installation hole in the bottom. You can open the side cover from the side connection.

Wall Mounting



- A. The mounting method of the straight arm is added to a wall mounted fixing plate, and the fixing plate is mounted on the wall and the fixing plate is fixed by a nut. After installation, please check whether the lighting fixture is firmly fixed.