

CAUTION: This product use an input 100-277VAC & 277-480VAC driver of wide range voltage, but the actual working voltage is depend on the input voltage of the photocell that installed on the product. Normally the input voltage of photocell is 120V/208V/240V/277V/347V/480V. Single range, and also have 100-277VAC & 277-480VAC wide range. Please pay attention when installation.

1. Introduction: This LED Wall-Packs light uses the latest in solid state lighting technology for long life, low maintenance, and high efficiency.
 2. The same as traditional HID lighting, it could be mounted a standard photocell on the enclosure, to make it completely suitable for street lighting.
 3. An internal power-factor-corrected switch-mode supply allows it to be used from any nominal 100V-277V, 60Hz AC supply without any variation in light output.
 4. Suitable for use in the following locations:
 - Ambient Temp: -40~+40°C
 - Wet Locations
- Note: Save these instructions for future reference.

IMPORTANT SAFETY INSTRUCTIONS:

Warning: To avoid the risk of fire, explosion, or electric shock, this product should be installed, inspected, and maintained by a qualified electrician only, in accordance with all applicable electrical codes.

Warning: To avoid electric shock: • Be certain electrical power is OFF before and during installation and maintenance. • Luminaire must be connected to a wiring system with an equipment-grounding conductor.

Warning: To avoid explosion: • Make sure the supply voltage is the same as the rated luminaire voltage. • Do not install where marked operating temperatures exceed the ignition temperature of the hazardous atmosphere. • Do not operate in ambient temperatures above those indicated on the luminaire nameplate.

For supply connections use wire rated for at least 90°C

Installation: 1. MOUNTING - Wall pack is designed to allow for a variety of mounting configurations. It can be mounted directly to a recessed junction box or mounted directly to the wall. Do not install up. NOT INTENDED FOR MOUNTING INVERTED OR ON CEILING.

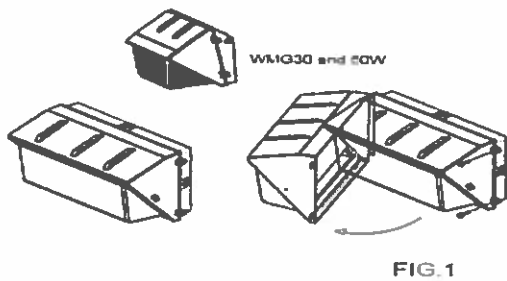


FIG. 1

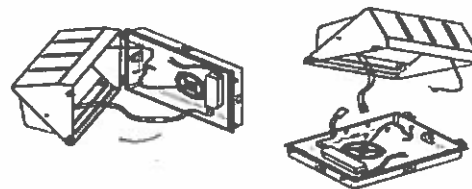


FIG. 2

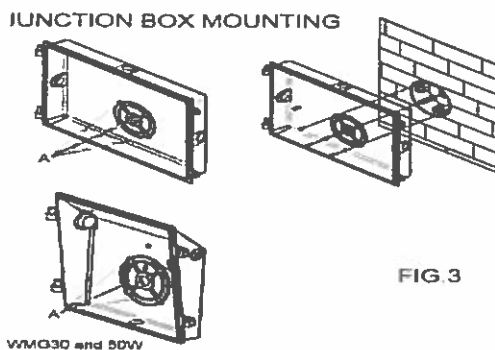


FIG. 3

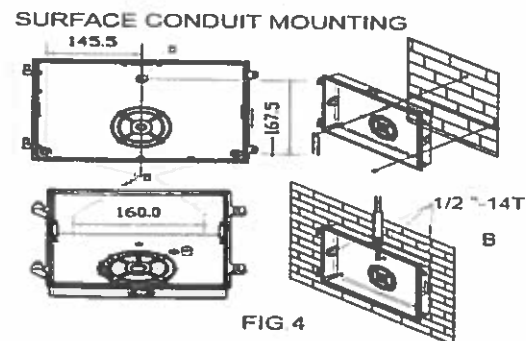


FIG. 4