

INSTALLATION INSTRUCTIONS

LED CANOPY LUMINAIRE

MODELS:

- SL923CLE-25W
- SL923CLE-40W
- SL923CLE-60W
- SL923CLE-75W

Model number parameter list:

Item	Model	Input Voltage	Power Factor	Watt	Input Current	Weight
A	SL923CLE-25W	120-277VAC	≥0.9	25W	0.3A	1.5
B	SL923CLE-40W			40W	0.45A	1.5
C	SL923CLE-60W			60W	1.0A	2.1
D	SL923CLE-75W			75W	1.0A	2.1

1. Introduction

- An internal power-factor-corrected switch-mode power supply allows the luminaire to be used with a nominal 120V-277V, 50/60Hz AC supply without any variation in light output.
- Suitable for use wet locations in ambient temperatures from -40°C~+40°C (-40°F to +104°F)

Note: Save these instructions for future reference.

1. Installation

Warning:

To avoid the risk of fire, explosion, or electric shock, this product should be installed, inspected, and maintained by a qualified electrician only, in accordance with all applicable electrical codes.

Warning:

To avoid electric shock:

- Be certain electrical power is OFF before and during installation and maintenance.
- Luminaire must be connected to a wiring system with an equipment-grounding conductor.

Warning:

- Make sure the supply voltage is the same as the rated luminaire voltage.
- Do not operate in ambient temperatures above those indicated on the luminaire nameplate.
- Keep lens tightly closed when in operation.

For supply connections use wire rated for at least 100°C.

All unused holes must be sealed with waterproof silicone.

2. Installation:

This fixture is intended for ceiling or stem mount, there are three methods of installing the LED canopy luminaire:

- Pendant mounting (3/4" conduit stem mount)
- Junction box mounting (installed to standard j-box)
- Ceiling mounting (installed to ceiling surface using 1/2" side conduit)

Each method is explained below.

Pendant Mounting

- STEP**
1. Feed the incoming power wires from the luminaire into the pendant (use 3/4" conduit), install the pendant into the threaded hole in the luminaire casting, and securely tighten. Use waterproof silicone to prevent moisture intrusion. Attach the other end of the pendant to a junction box.
 2. If the incoming power wires from the luminaire are longer than the pendant, make wiring connections in the junction box. If the wires are not longer than the pendant, pull wires from the junction box as required, and make wiring connections inside the pendant (see Figure 1).

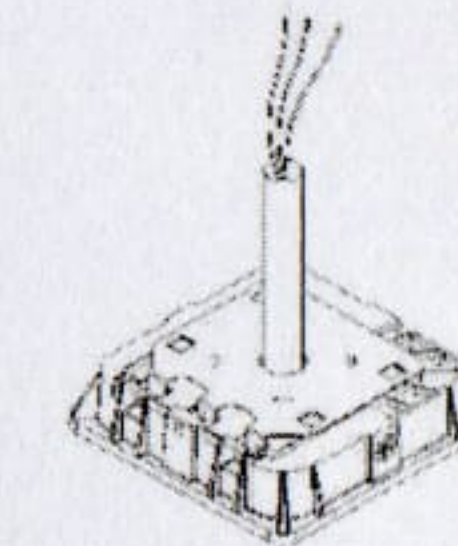


Figure 1

Junction Box Mounting

- STEP**
1. Loosen (but do not remove screw A (see Figure 2), which holds the mounting plate in place.
 2. Slide the mounting plate toward Screw A, and then remove it from the luminaire body (see Figures 3& 4).
 3. Feed the incoming power wires from the junction box through the center hole in the mounting plate. Then, attach the mounting plate to the junction box using appropriate fasteners (see Figure 5).

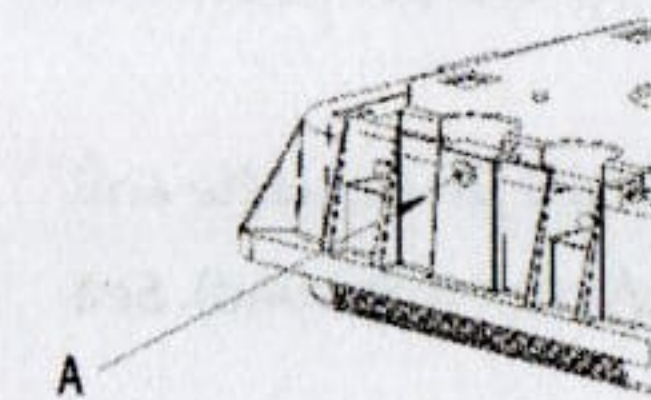


Figure 2

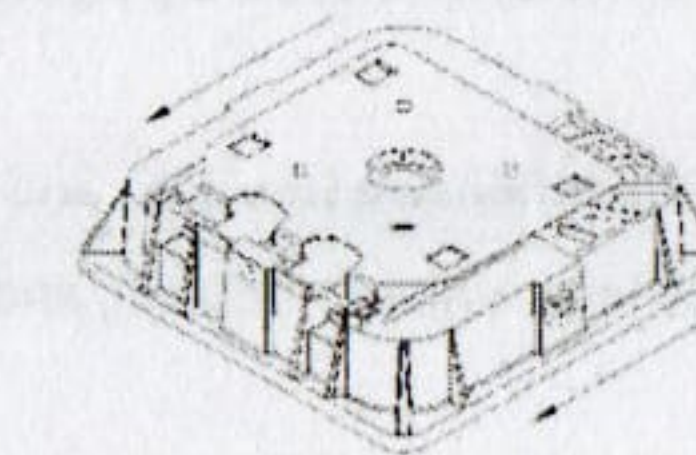


Figure 3

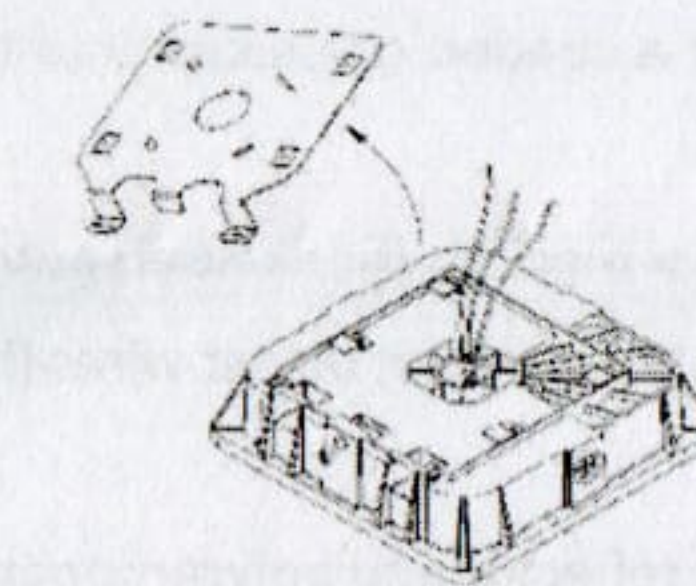


Figure 4



Figure 5

4. Hang the luminaire onto the mounting plate hooks, and then connect the black, white and yellow/green luminaire wires to incoming power wires (black to line, white to neutral, and yellow/green to ground). See Figure 6 and wiring Diagrams.

5. Rotate the luminaire body up towards the mounting plate and slide the mounting plate hooks into the slots on the luminaire body. Then, slide the luminaire body away from screw A to securely engage the mounting plate hooks in the slots. See Figure 7

6. Retighten screw A to hold the mounting plate in place on the luminaire body. See Figure 8.

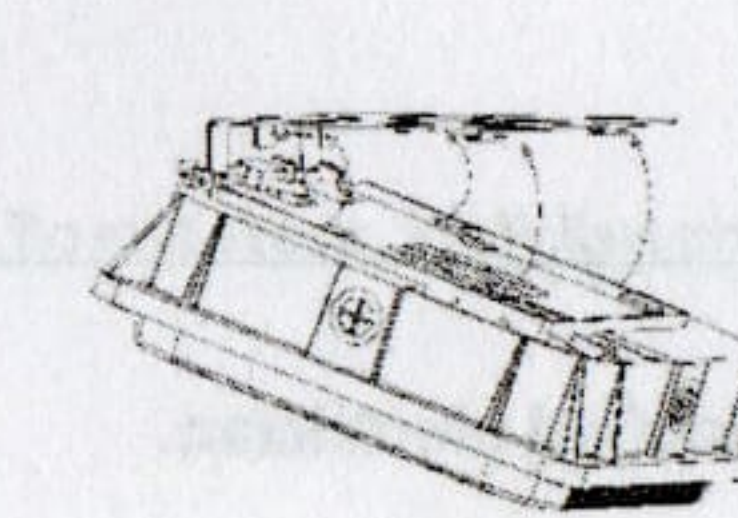
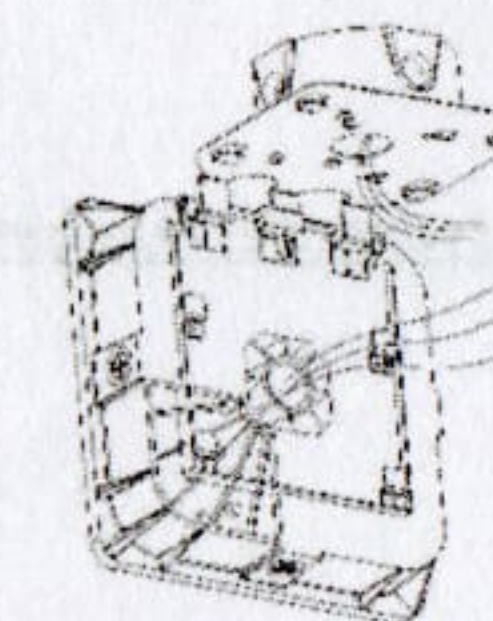


Figure 7

Rotate luminaire housing up then slide the housing back.

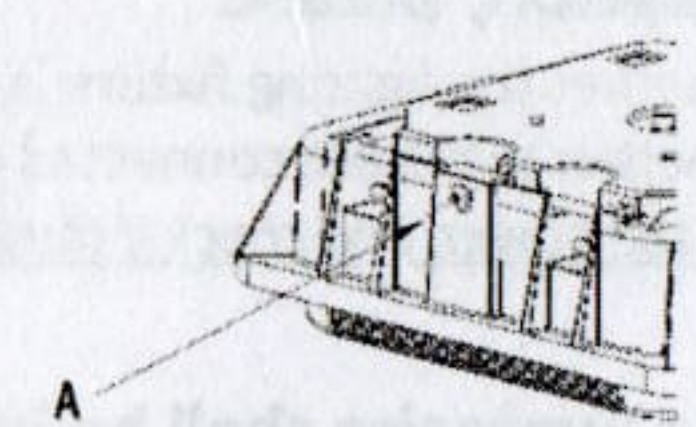


Figure 8

Ceiling Mounting

- STEP**
1. Slide the mounting plate toward Screw A, and then remove it from the luminaire body (see Figures 2, 3, & 4).
 2. Drill four corresponding holes in the mounting surface. Use the drilling patterns shown in Figure 9, below.
 3. Attach the mounting plate to the mounting surface using appropriate fasteners (see Figure 10).

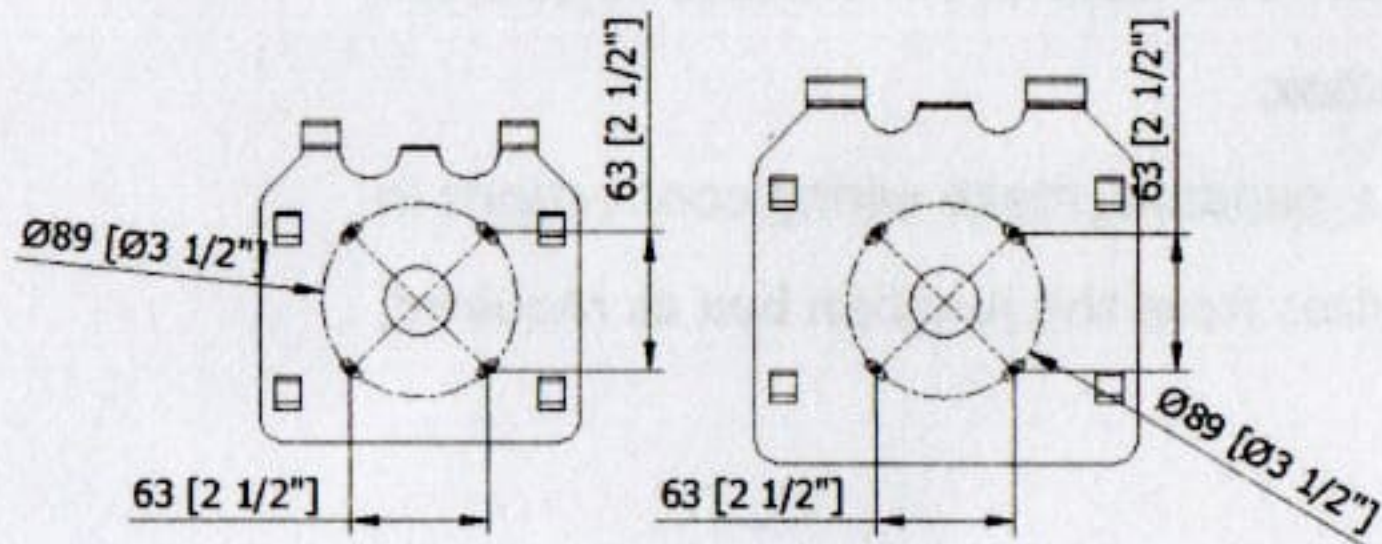


Figure 9



Figure 10

4. Remove the polycarbonate lens and sheet metal reflector (see Figure 11).

Note: Be careful to avoid touching the LEDs or irreversible damage may occur.

5. Pull the incoming power wires attached to the surge protector from the back of the housing.
6. Remove one of the 1/2" conduit plugs from the side of luminaire housing (see Figure 12).

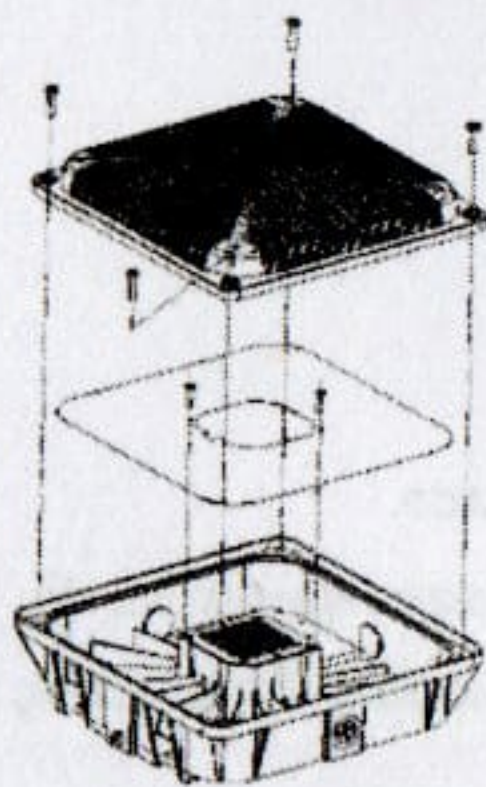


Figure 11

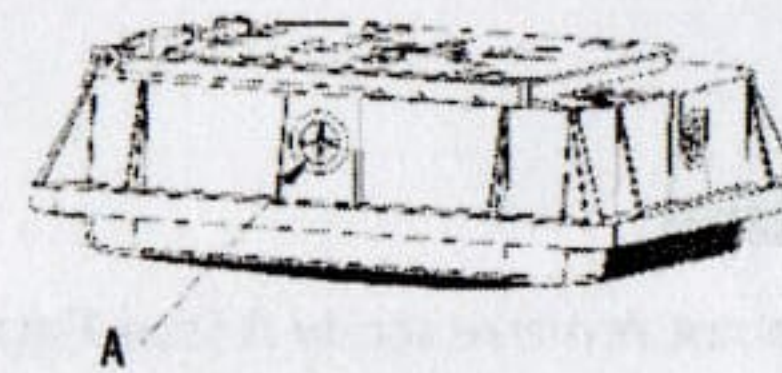
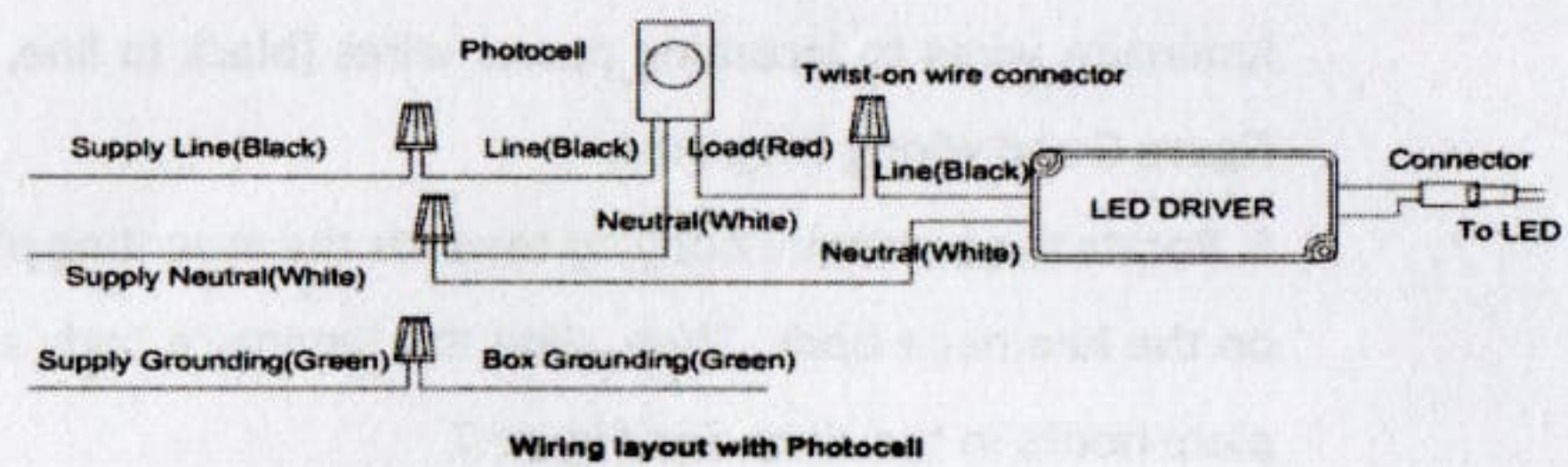
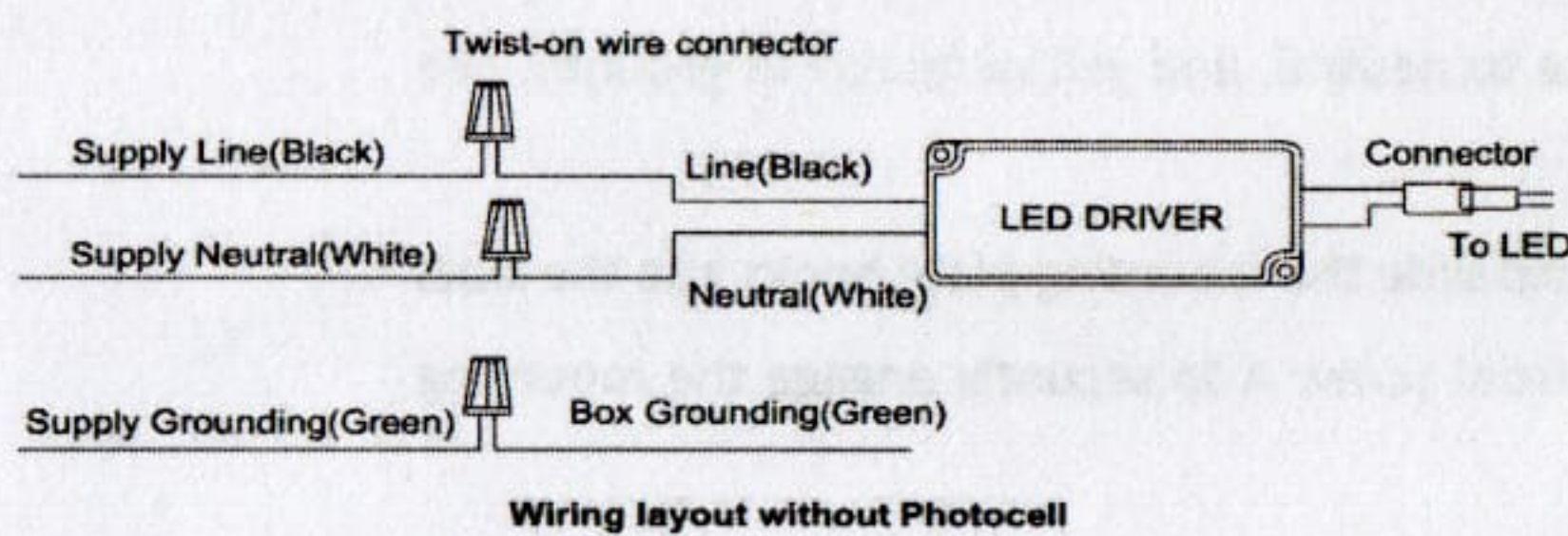


Figure 12

8. Insert threaded conduit or a conduit connector into the 1/2" hole, and securely tighten. Use waterproof silicone to prevent moisture intrusion.
9. Feed incoming power wires through the conduit and into the luminaire housing, and connect the black, white and yellow/green luminaire wires to incoming power wires (black to line, white to neutral, and yellow/green to ground). See Wiring Diagrams, below.
10. Reattach the sheet metal reflector and polycarbonate lens to the luminaire housing (see Figure 11).

Wiring Diagrams



After installation, please

- check whether the lighting fixture is firmly fixed.
- check whether wires are connected correctly.

At last, turn on the power, and check if the lighting fixture works well. If not, please turn off the power and contact your sales representative.

Warning: the luminaire shall be installed by a qualified electrician.