

## BROADCAST LED AREA & FLOOD LIGHT

PID: SL923FLF



PROJECT:

PREPARED BY:

DATE:

TYPE:

### SPECIFICATIONS:

#### LED MODULES

0-10V dimming (80W, 100W, 150W, 220W, 300W models only)

High brightness CREE XML LED

5,000 Kelvin Temperature (4000K available for special order)

50,000 hour rated life

#### WARRANTY

Five year warranty

#### ENERGY DATA

Electronic LED Driver

Power Factor >0.9

<20% Total Harmonic Distribution

100-277V 50/60Hz (347-480V available for special order)

-40°F to -122°F (-40°C to 50°C)  
Operating Temperature

#### CONSTRUCTION

Die-cast aluminum construction

#### FINISH

Bronze powder coating for added durability

#### OPTICS

High-Lumen clear lens  
Beam Angle: 120°

#### CERTIFICATIONS

UL/cUL Certified  
DLC Certified  
IP65 Rated  
LM79/IES tested

## PRODUCT DETAILS

Product	Input	Watts	Kelvin Temp	Lumens	Efficacy	CRI	Dimmable
SL923FLF-15W (SPECIAL ORDER)	100/277	15	5,000	1,663	115	>75	Non-Dimming
SL923FLF-30W	100/277	30	5,000	3,718	125	>75	Non-Dimming
SL923FLF-50W	100/277	50	5,000	6,179	126	>75	Non-Dimming
SL923FLF-80W	100/277	80	5,000	10,342	130	>75	Dimming
SL923FLF-100W	*100/277	100	5,000	12,353	125	>75	Dimming
SL923FLF-150W	*100/277	150	5,000	18,752	123	>75	Dimming
SL923FLF-220W	*100/277	220	5,000	26,731	122	>75	Dimming
SL923FLF-300W	*100/277	300	5,000	38,122	124	>75	Dimming

\*347/480V High Voltage available for special order—call for availability.

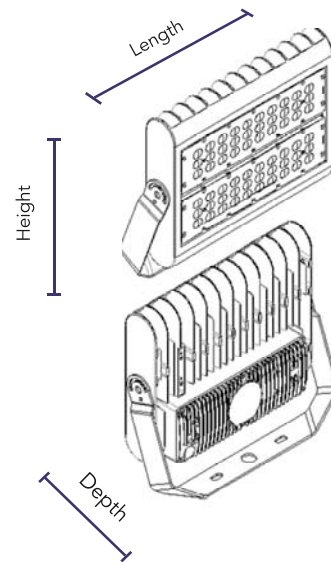
1. CCT range complies to ANSI C78.377-2008

2. Rated average life based on engineering testing and probability analysis.

3. Lifetime test consistent with IESNA LM80 lumen maintenance procedure.

## DIMENSIONS

Product	Length (Inches)	Depth (Inches)	Height (Inches)
SL923FLF-15W	4.5	1.4	4.6
SL923FLF-30W	7	1.5	6.5
SL923FLF-50W	8.9	1.7	7.5
SL923FLF-80W	13.4	3.4	11.7
SL923FLF-100W	13.4	3.4	11.7
SL923FLF-150W	13.4	3.4	11.7
SL923FLF-220W	13.4	3.4	11.7
SL923FLF-300W	13.4	3.6	18.7



## ORDERING GUIDE

ORDER CODE	WATTS	VOLTS	KELVIN	LENS	BEAM ANGLE	DRIVER	DIMMING	MOUNT
SL923FLF	15W, 30W, 50W, 80W, 100W, 150W, 220W, 300W	100/277 = 100/277V 347/480 = 347/480V	5000 4000	C = CLEAR	120 = 120°	I = INTERNAL	N = Non-Dimming D = Dimming	YM = Yoke Mount TM = Trunnion Mount KM = Knuckle Mount EA = Extruded Arm Mount SF = Slip Fitter Mount

### ORDER

EXAMPLE: SL923FLF - 15W - 100/277 - 5000 - C - 120 - I - N - YM

## MOUNTING OPTIONS

---

### YOKE MOUNT

Available for 15W, 30W,  
50W, 80W, 100W, 150W,  
220W, 300W



### KNUCKLE MOUNT

(Available for 15W, 30W  
and 50W models only)



### SLIP FITTER MOUNT

Available for 80W, 100W,  
150W, 220W and 300W  
models only



### TRUNNION MOUNT

Available for 80W, 100W,  
150W, 220W and 300W  
models only



### EXTRUDED ARM

(Available for 80W, 100W,  
150W, 220W and 300W  
models only)

