

HIGH BAY

Installation Guide



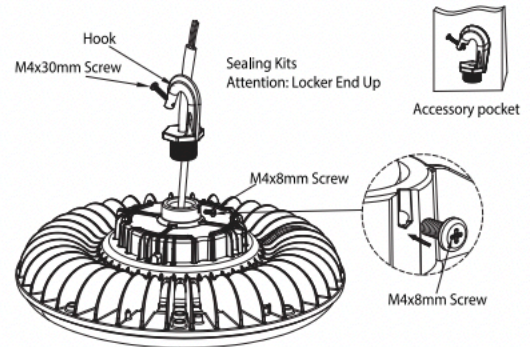
PLEASE READ ALL INSTRUCTIONS BEFORE ATTEMPTING INSTALLATION

- To prevent personal injury or product damage only licensed electricians should install.
- To avoid electric shock or component damage disconnect power before attempting installation or servicing.
- This product must be installed in accordance with the national electric code (NEC) and all applicable federal, state and local electric codes and safety standards.
- Disconnect product and allow cooling prior to servicing.
- Any alteration or modification of this product is expressly forbidden as it may cause serious personal injury, death, property damage and/or product malfunction.
- To prevent product malfunction and/or electrical shock this product must be properly grounded.
- This luminaire is designed to operate in ambient temperatures ranging from -40°C to 50°C and to be horizontally mounted with the LEDs facing down.
- This product must be installed in accordance with the applicable installation code by a Person familiar with the construction and operation of the product and the hazards involved.
- In 75°C supply conductors.
- This product is not available for several special environments, such as places with corrosive gas liquids or high pressure water vapor

Installation

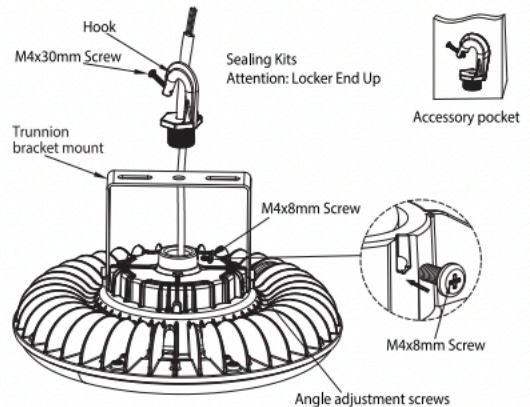
1. Hook installation

1. Thread the power cord through the hole of hook and rotate the hook into 3/4" hole on fixture tightly.
2. Tighten the M4x8 screw beside the hook.
3. Connecting the wire according to the wiring diagram then installation is done.



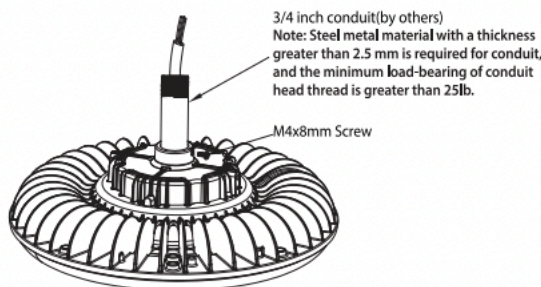
2. Trunnion installation

1. Thread the power cord through the hole of hook and rotate the hook into 3/4" hole on fixture tightly.
2. Tighten the M4x8 screw beside the hook.
3. Secure the fixture to the mounting position, then adjust the desired angle, lock the angle adjustment screw.
4. Connecting the wire according to the wiring diagram then installation is done.

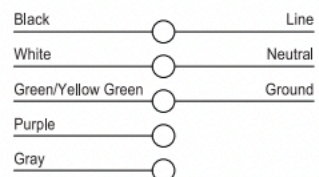


3. Pendant mounting with 3/4" conduit(by others)

1. Make wire connections according to the wiring diagram.
2. Thread the led fixture onto the 3/4" NPT conduit and secure the M4x8 screw.



Wire Connection



Note: Two dimming wires in the driver box