

LED WALL MOUNT

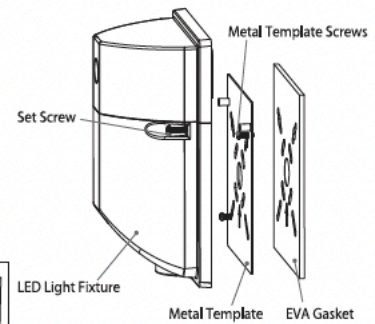
Installation Guide

WARNING

1. To avoid electric shock, disconnect power at source prior to installation.
2. The installation should be performed by qualified electricians or lighting technicians.
3. Before conducting any installation, maintenance, or removal, disable all power to the luminaires and wait until the fixture cool down.
4. Do not touch the fixture while it is in service.
5. If there is any problem with the fixture, DO turn off power and DO NOT attempt repair unless you are a qualified technician or the customer service member.
6. Please read the label information carefully to get proper input voltage for this product.
7. This luminaire is designed to operate in ambient temperatures ranging from -40°C to 40°C.
8. This product is not available for several special environments, such as places with corrosive gas liquids or high pressure water vapor.

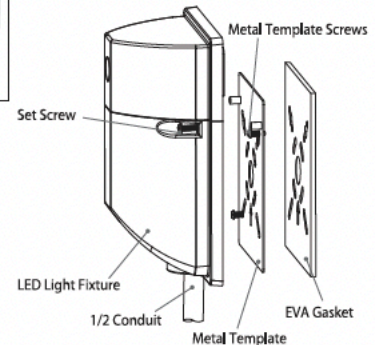
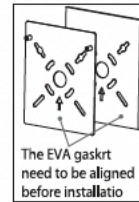
1. J-box Mounting

1. Loosen two set screws and remove metal template.
2. Install EVA gasket on the back of the metal template (Note the direction of the arrow).
3. Pull house supply wires through hole in housing back and secure housing to junction box with two mounting screws (by others).
4. Connect Black for line, White for Neutral and bare wire for Ground to complete the wiring.
5. Secure the fixture on the metal template with set screws.



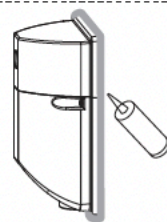
2. 1/2" Conduit Mounting

1. Loosen two set screws and remove metal template.
2. Install EVA gasket on the back of the metal template (Note the direction of the arrow).
3. Pull house supply wires through hole in housing back and secure housing to junction box with two mounting screws (by others).
4. Thread 1/2" conduit into the 1/2" hole.
5. Connect Black for line, White for Neutral and bare wire for Ground to complete the wiring.
6. Secure the fixture on the metal template with set screws.



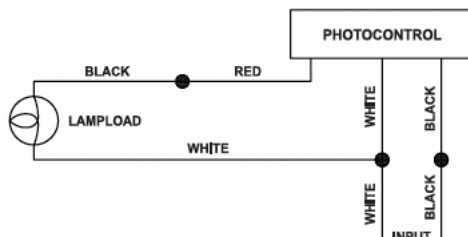
Note: To ensure waterproof seal, apply weatherproof silicone sealant around the edge of the wall mounting box and /or junction box.

This is especially important with an uneven wall surface. Silicone all plugs and unused conduit entries.



PHOTOCELL INSTALLATION

1. Install photocell and wire as per diagram.
2. Use photocell rated for your supply voltage.



TROUBLESHOOTING

1. Check that the line voltage at the fixture is correct. Refer to wiring directions.
2. Is the fixture grounded properly.
3. Be sure the photocell, if used, is functioning properly.